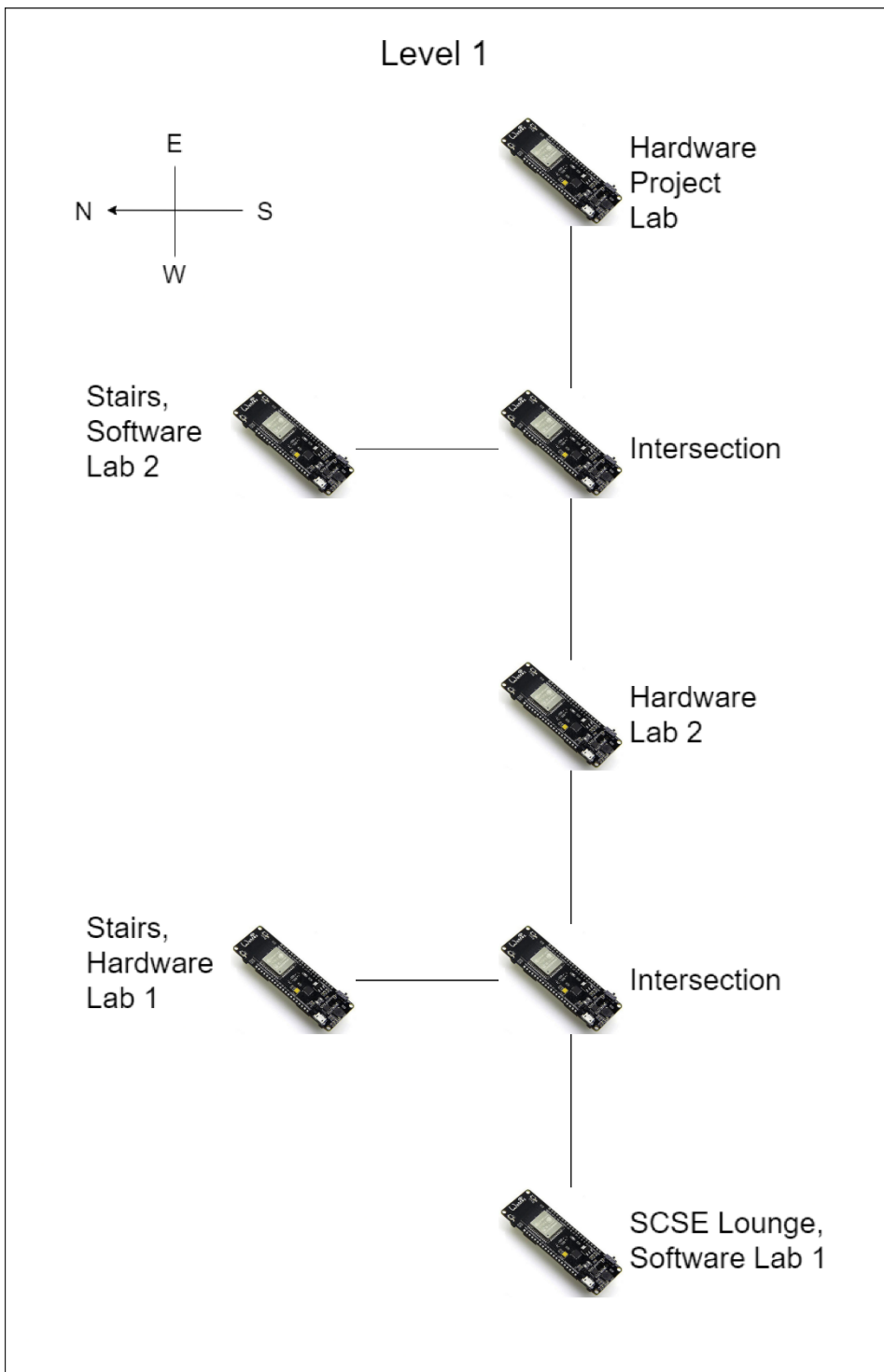


Development of iBeacon Application 2

Pathfinder

Student: Siek Ming Jun

Supervisor: A/P Lau Chiew Tong



Placement of Beacons in SCSE, Level 1



Github Repository



Project Objectives:

This project aims to solve indoor localization and indoor navigation by utilizing an ESP32 configured board as a beacon utilizing the iBeacon protocol and a mobile application, Pathfinder. These beacons are placed in specific Point of Interests (POI) around SCSE, specifically, laboratories. Beacons can be used to detect your current location indoors. With Pathfinder, if you are near the POI, you will be able to navigate between laboratories with the help of the intuitive navigation process.